



OTC DAIHEN EUROPE

**Roboter – Technische Daten
Manipulator Specifications**

FD-V6LS

Model		FD-V6LS	
Kinematic		Vertical artic. type	
No. of Axes		7	
P-Point (Working Range)		R 2,006 mm	
Maximum Payload Capacity		6 kg	
Positional Repeatability(*1)		± 0.08 mm	
Driving Method		AC Servo Motor	
Working Range	Arm	J1 (Rotation)	± 170°
		J2 (Vertical)	-145° ≈ +70°
		J7	±90°
	Wrist	J3* (Rotation)	-170° ≈ +160°
		J4 (Rotation)	± 180°
		J5 (Bending)	-50° ≈ +230°
Maximum Speed	Arm	J1 (Rotation)	195°/s
		J2 (Vertical)	200°/s
		J7	160°/s
	Wrist	J3* (Rotation)	200°/s
		J4 (Rotation)	420°/s
		J6 (Rotation)	620°/s
Maximum Payload	Allowable Moment	J1 (Rotation)	11.8 Nm
		J2 (Vertical)	9.8 Nm
		J3* (Rotation)	5.9 Nm
		J4 (Rotation)	0.30 kg/m ²
		J5 (Bending)	0.25 kg/m ²
		J6 (Rotation)	0.06 kg/m ²
Ambient Temp./Humidity		0 ≈ 45°, 20 ≈ 80%	
Mass (weight)		316 kg	
Upper arm max. Carrying capacity(*2)		20 kg	
Origin Return		Note 3	
Installation Position		Floor type	



J3* (Rotation): A combined rotation of the axes J2 and J3

Note 1: Measured value obtained after sufficient repetition of automatic operation for stabilizing conditions.

Note 2: When the output flange of the wrist axis is loaded with maximum payload capacity.

Note 3: Positional data protected by battery-backed storage inside the manipulator.

F = Floor W = Wall C = Ceiling

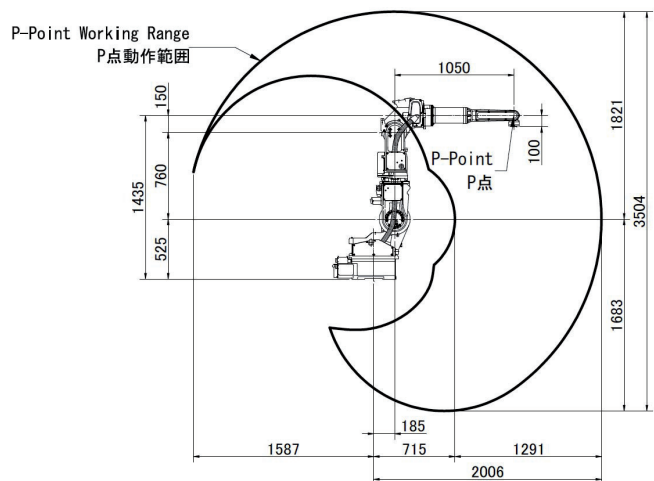
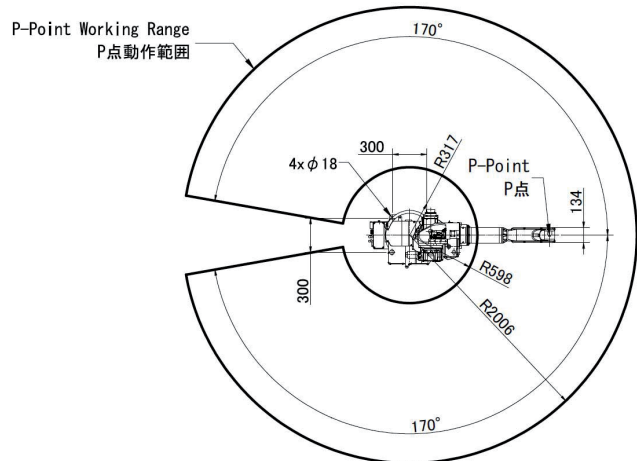


OTC DAIHEN EUROPE

**Roboter – Technische Daten
Manipulator Specifications**

FD-V6LS

Model		FD-V6LS	
Kinematic		Vertical artic. type	
No. of Axes		7	
P-Point (Working Range)		R 2,006 mm	
Maximum Payload Capacity		6 kg	
Positional Repeatability(*1)		± 0.08 mm	
Driving Method		AC Servo Motor	
Working Range	Arm	J1 (Rotation)	± 170°
		J2 (Vertical)	-145° ≈ +70°
		J7	±90°
	Wrist	J3* (Rotation)	-170° ≈ +160°
		J4 (Rotation)	± 180°
		J5 (Bending)	-50° ≈ +230°
Maximum Speed	Arm	J1 (Rotation)	195°/s
		J2 (Vertical)	200°/s
		J7	160°/s
	Wrist	J3* (Rotation)	200°/s
		J4 (Rotation)	420°/s
		J5 (Bending)	420°/s
Maximum Payload	Allowable Moment	J6 (Rotation)	620°/s
		J1 (Rotation)	11.8 Nm
		J2 (Vertical)	9.8 Nm
		J3* (Rotation)	5.9 Nm
		J4 (Rotation)	0.30 kg/m ²
		J5 (Bending)	0.25 kg/m ²
Ambient Temp./Humidity		0 ≈ 45°, 20 ≈ 80%	
Mass (weight)		316 kg	
Upper arm max. Carrying capacity(*2)		20 kg	
Origin Return		Note 3	
Installation Position		Floor type	



J3* (Rotation): A combined rotation of the axes J2 and J3

Note 1: Measured value obtained after sufficient repetition of automatic operation for stabilizing conditions.

Note 2: When the output flange of the wrist axis is loaded with maximum payload capacity.

Note 3: Positional data protected by battery-backed storage inside the manipulator.

F = Floor W = Wall C = Ceiling