

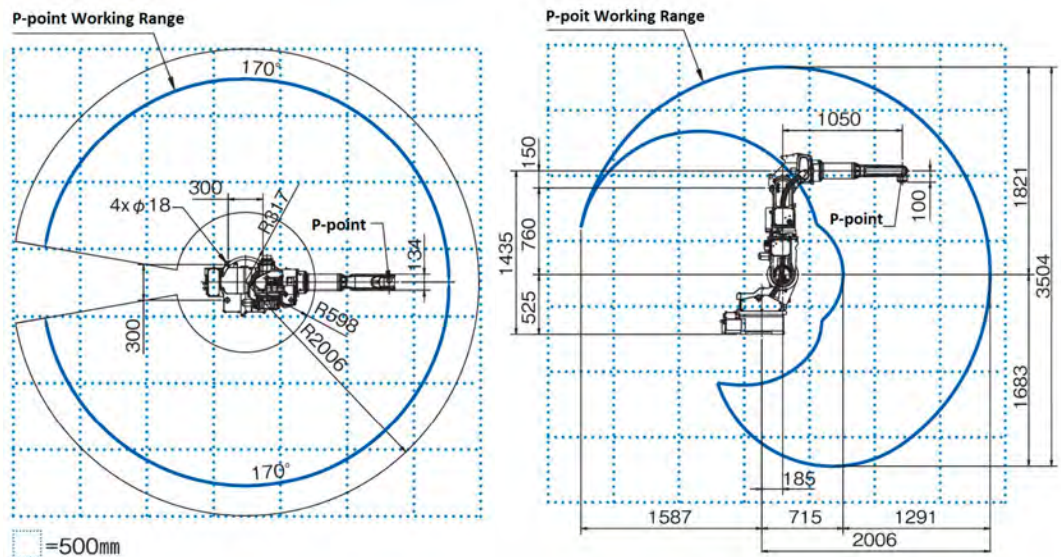
# FD-V6LS

## A 7-axis long type that realized the best ease of use

- Simple manual operation is realized by teaching teaching of 7 axis robot which tends to become complicated, using synchro motion technology
- World first! Built-in welding power cable on 7th axis. Do not mind interference with jigs and workpieces teachable
- Since it is a long type, it can be applied from small articles to large work



[Manipulator operating range diagram]



[Manipulator specifications]

		FD-V6LS
Construction		Vertical multi-joint
Number of axes		7
Payload		6kg
Position repeatability		±0.08mm(Note1)
Driving method		AC Servomotor
Driving capacity		6000W
Position feedback		Absolute value encoder
Working range	Arm	J1(Rotation1) ±170°
		J2(Lower arm) -145° ~+75°
		J7(Rotation2) ±90°
		J3(Upper arm) -170° ~+160°
Wrist	J4(Swing) ±180°	
	J5(Bending) -50° ~+230° (Note2)	
	J6(Twist) ±360° (Note2)	
Maximum speed	Arm	J1(Rotation1) 3.40rad/s[195°/s]
		J2(Upper arm) 3.49rad/s[200°/s]
		J7(Rotation2) 2.79rad/s[160°/s]
		J3(Upper arm) 3.49rad/s[200°/s]
		J4(Swing) 7.33rad/s[420°/s]
	Wrist	J5(Bending) 7.33rad/s[420°/s]
	J6(Twist) 10.82rad/s[620°/s]	

		FD-V6LS
Wrist Allowable Load	Allowable Moment	J4(Swing) 11.8N·m
		J5(Bending) 9.8N·m
		J6(Twist) 5.9N·m
	Allowable Moment of inertia	J4(Swing) 0.30kg·m <sup>2</sup>
		J5(Bending) 0.25kg·m <sup>2</sup>
		J6(Twist) 0.06kg·m <sup>2</sup>
Arm Cross-sectional Area		540mm <sup>2</sup> × 340°
Ambient Conditions		Temp : 0~45°C, Hmd: 20~80% RH (No condensation)
Mass (weight)		316kg
Upper Arm Payload Capacity		20kg(注3)
Installation Type		Place floor
Paint Color		White (Munsell value 10 GY 9/1)

Note) 1. Repeatability accuracy is in conformity with JIS - B - 8 4 3 2. It is the value at the standard tool center point (T.C.P.).  
 2. The operating range of the J 6 axis may be controlled by the attitude of J 5 axis. 3. The upper arm mass carrying capacity varies depending on the wrist carrying weight.  
 ※ This use is subject to change without notice.

Distributed by:



**In Vilnius:**  
 Savanorių pr 151,  
 Vilnius, 03150, Lithuania  
 Tel.: +3705202777 Fax.:  
 +37052502778  
 www.atcbaltic.com  
 info@atcbaltic.com

**In Siauliai:**  
 P. Cvirkos g. 77,  
 Šiauliai, 77165, Lithuania  
 Tel.: +3705202777  
 Fax.: +37052502778  
 www.atcbaltic.com  
 info@atcbaltic.com